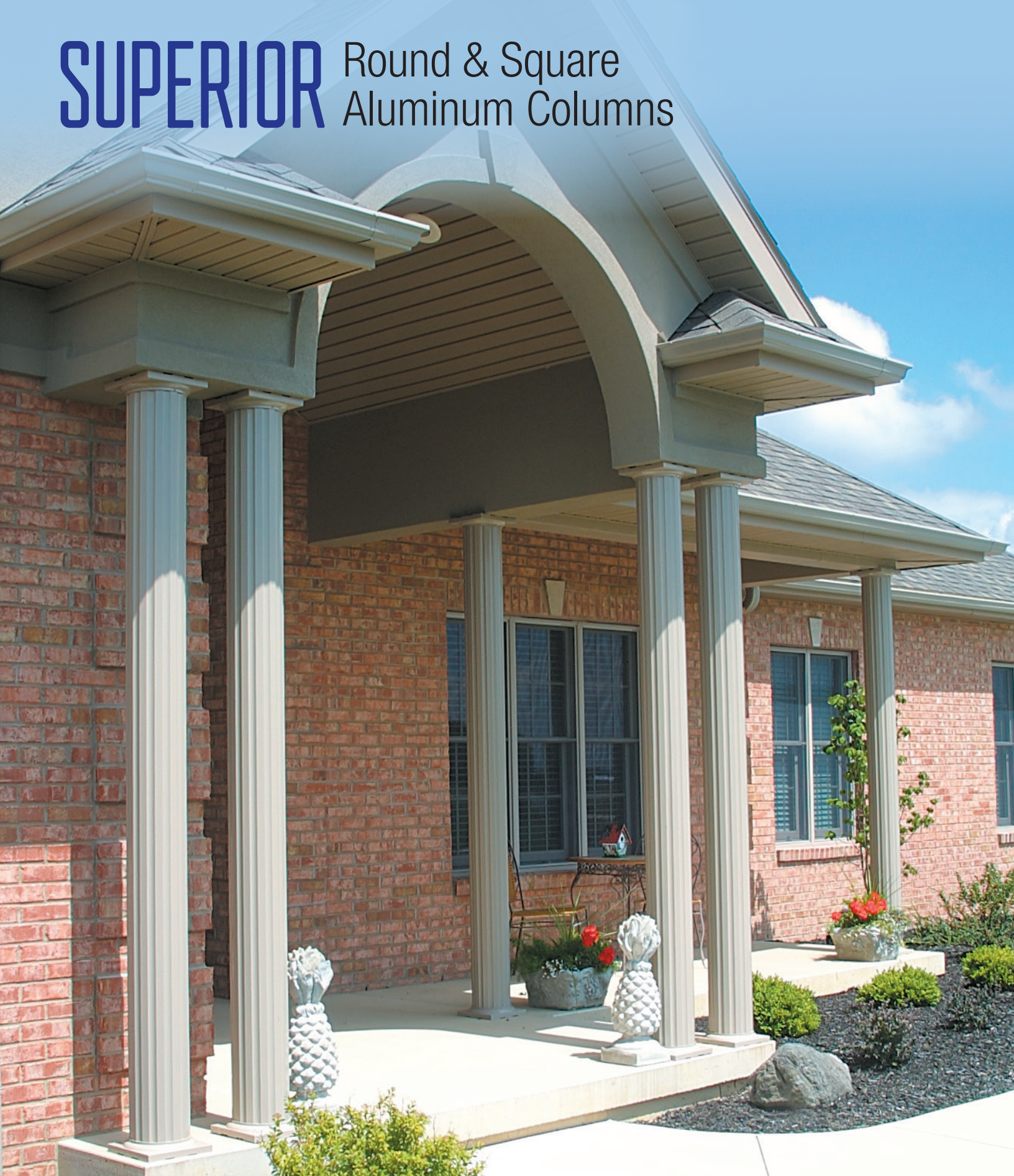


SUPERIOR Round & Square Aluminum Columns



The choice of elegance and dependability in any construction project.

SuperiorAluminum.com

SUPERIOR Round & Square Aluminum Columns

Superior Aluminum columns bring traditional elegance to your project at an affordable price. They are ideal for both new construction and remodeling projects in the commercial and residential markets. Made from sturdy, maintenance-free aluminum, Superior columns ensure a long-term upgrade to your building.

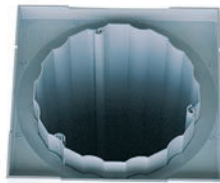
Available in four unique styles with a wide variety of caps and bases to choose from, Superior columns complement any facility.

Load-Bearing

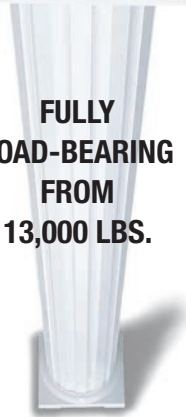
■ Superior Aluminum columns can be utilized to provide load-bearing support for covered structures such as balconies, walkways, porches, and more!

■ The support offered by aluminum columns is immense: a 6" by 8' column can in itself be fully load-bearing up to 13,000 pounds, and larger sizes can hold up to 75,000 pounds!

■ Superior Aluminum columns combine the load-bearing qualities of aluminum, with its aesthetic beauty to add a perfect finishing touch to any project.



**FULLY
LOAD-BEARING
FROM
13,000 LBS.**



6" sq. x 8' tall Square Fluted Columns
Standard Cap & Base with Series 9900 Railing



6" sq. x 8' tall Square Smooth Columns
Doric Cap & Base



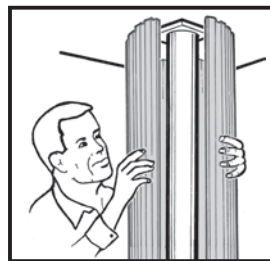
10" sq. x 8' tall Square Panel Columns
Standard Cap & Base

Wrap-Around

■ Superior Aluminum columns are available with wrap-around functionality to cover existing structures.

■ Utilize wrap-around columns to revitalize a tired look!

■ Wrap-around columns come with snap-together, two-piece puzzle-lock or polymer caps and bases.



Industry's Largest Range of Sizes

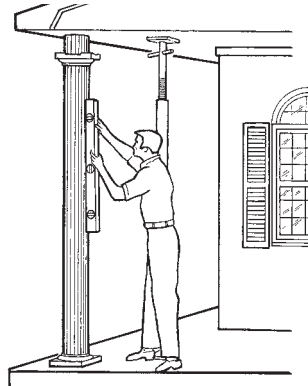
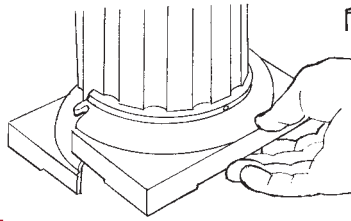
The wide selection of Superior Aluminum column sizes guarantees you will find the column that fits your project, be it a typical 6" x 8' column for a residential porch, or a massive column up to 30' high to support a grand entryway. No other manufacturer has a wider selection than Superior.



15" dia. x 12' tall Round Fluted Columns
Corinthian Cap & Doric Base

Easy Assembly

- Superior Aluminum columns assemble easily enough for one person to be able to handle.
- Simply cut the column staves to size and lock them into place.
- Slip on the cap and base on regular columns, while on wrap-around columns, lock them together around the columns.
- Complete instructions are packaged with each column.



8" dia. x 10' tall Round Fluted Columns
Standard Cap & Base

Baked-on Paint

All aluminum columns, caps, and bases are supplied with a durable, baked-on finish, in the colors shown below. A mill finish is also available if custom painting is desired.



*Dark Bronze and Black are available ONLY for 4" square smooth columns and 6" and 8" square columns of all profiles.



6" sq. x 8' tall Square Fluted Columns
Standard Cap & Base

Durability

- Superior utilizes the power of aluminum to create a column that will not rot, split, warp, or rust like other materials.
- Aluminum products require no maintenance.
- These traits ensure aluminum columns create a durable, worry-free addition to any project.



8" sq. x 8' tall Square Panel Columns
Standard Cap & Base with Series 9900 Railing



8" sq. x 8' tall Square Smooth Columns
Charleston Cap & Standard Base with Series 9000 Railing



8" sq. x 8' tall Square Panel Columns
Standard Cap & Base with Series 9000 Railing

SUPERIOR Fluted Round Columns

Superior Aluminum round fluted columns embrace the centuries-old tradition of round columns supporting incredible architecture. Unlike those columns of the past, aluminum columns provide a durable, maintenance-free touch of class that will impress for years to come.



12" dia. x 20' tall Round Fluted Columns
Standard Cap & Base



10" dia. x 8' tall Round Fluted Columns
Standard Cap & Base

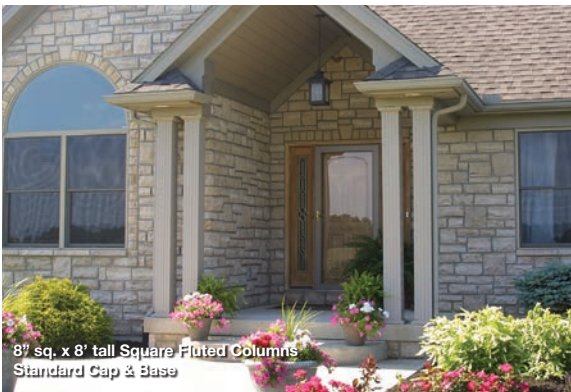


18" dia. x 18' tall Round Fluted Columns
Standard Cap and Base



10" dia. x 8' tall Round Fluted Columns
Standard Cap and Base

SUPERIOR Fluted Square Columns



8" sq. x 8' tall Square Fluted Columns
Standard Cap & Base



8" sq. x 8' tall Square Fluted Columns
Standard Cap & Base with Series 9000 Railing



6" sq. x 8' tall Square Fluted Columns
Standard Cap & Base with Series 9900 Railing

Superior Aluminum square fluted columns embrace the aesthetic benefits that wood columns provide, without the headaches. Square fluted columns will allow you to enjoy a natural look with minimal maintenance!



8" sq. x 8' tall Square Fluted Columns
Standard Cap and Base

SUPERIOR Smooth Square Columns



8" sq. x 8' tall Square Smooth Columns
Doric Cap & Base with Series 9000 Railing

Superior Aluminum square smooth columns are the perfect way to add a sophisticated touch to your project, while maintaining a clean look and feel. Square smooth columns are the go-to choice for simplifying a project without sacrificing beauty and quality.



8" sq. x 8' tall Square Smooth Columns
Standard Cap & Base with Series 9000 Railing



6" sq. x 8' tall Square Smooth Columns
Standard Cap & Base



8" sq. x 8' tall Square Smooth Columns
Standard Cap & Base

SUPERIOR Panel Square Columns



8" sq. x 8' tall Square-Panel Columns
Standard Cap & Base

Superior Aluminum square panel columns combine the traditional look you desire with a unique panel design that adds a touch of contemporary flair to your project!



10" sq. x 6' tall Square Panel Columns
Charleston Cap & Standard Base



6" sq. x 8' tall Square Panel Columns
Standard Cap & Base



6" sq. x 8' tall Square Panel Columns
Standard Cap & Base

Cap and Base Options

Round & Square Columns

- Round and Square Fluted columns come with a selection of four distinct cap and base styles available in one-piece configurations.
- All styles are also available in two-piece versions for wrap-around applications.
- Cost-competitive polymer composite caps and bases are available to fit 6" and 8" diameter columns of all profiles.



Panel Columns

- 6" and 8" Square Panel columns feature "tabbed" caps and bases in the standard style.
- Tabbed caps/bases offer a cost competitive alternative to other panel cap/base options.
- Tabbed caps and bases cannot be used in wrap-around applications.



Panel Column Inserts

- Should you desire to wrap-around an existing structure or desire a decorative style cap/base, additional panel inserts are required.



SUPERIOR Frequently Asked Questions and Column Data

Frequently Asked Questions

QUESTION: What columns can be ordered in wrap-around versions?

ANSWER: All square columns (except 4" square smooth) are wrap-around and fully load-bearing by design, as are 6" and 8" round columns. Round columns 10" and larger can be modified where wrap-around applications are required. Any project requiring wrap-around columns will necessitate an order of wrap-around caps and bases as well.

QUESTION: How do I determine what diameter of column will look right for my project?

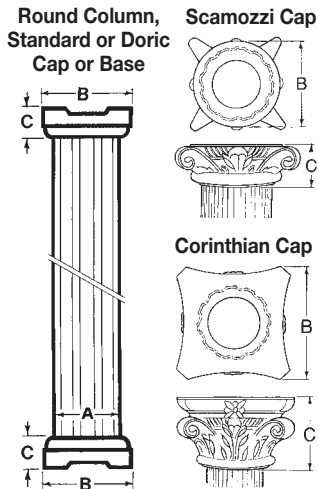
ANSWER: Architects will use a complex formula for this, but an easy rule of thumb is one inch of diameter for every foot of height. For buildings 300 feet or more off the road, increasing to the next larger diameter is recommended.

Aluminum Columns – Actual Dimensions

Size	Round			Square					
	Fluted			Fluted		Recessed Panel		Smooth	
	O.D.	I.D.	Max. Sq. Encased	O.D.	Max. Sq. Encased	O.D.	Max. Sq. Encased	O.D.	Max. Sq. Encased
4	-	-	-	4	3 ¹ / ₈	-	-	4	-
6	5 ⁵ / ₈	4 ³ / ₄	3 ¹ / ₂	5 ¹ / ₂	4 ⁵ / ₈	5 ¹ / ₂	4 ³ / ₁₆	5 ¹ / ₂	4 ⁹ / ₁₆
8	8	7 ¹ / ₈	5 ¹ / ₄	7 ¹ / ₂	6 ¹ / ₂	7 ¹ / ₂	6 ³ / ₁₆	7 ¹ / ₂	6 ¹ / ₂
10	10	8 ⁷ / ₈	6 ¹ / ₄	9 ¹ / ₂	8 ¹ / ₂	9 ¹ / ₂	8 ¹ / ₈	9 ¹ / ₂	8 ¹ / ₁₆
12	11 ¹ / ₄	9 ⁷ / ₈	6 ⁷ / ₈	11 ¹ / ₂	9 ³ / ₄	11 ¹ / ₂	10 ¹ / ₈	11 ¹ / ₂	10 ¹ / ₁₆
15	14 ³ / ₈	13 ¹ / ₈	9 ¹ / ₄	-	-	-	-	-	-
16	-	-	-	15 ¹ / ₂	13 ³ / ₄	15 ¹ / ₂	13 ⁷ / ₈	-	-
18	18	16	11 ⁵ / ₁₆	-	-	-	-	-	-
24	24	22	15 ⁹ / ₁₆	-	-	-	-	-	-
30	30	28	19 ¹³ / ₁₆	-	-	-	-	-	-

Note: The chart above features the actual outside dimensions of all columns, and the inside diameter of round columns. 'Maximum square encased' lists the largest size support structure that can be enclosed by the corresponding size wrap-around column.

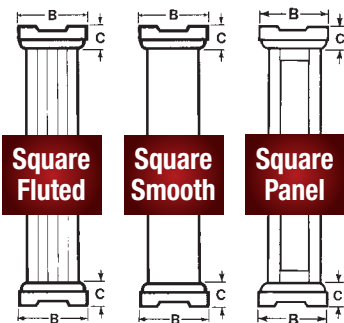
Round Columns – Dimensions & Load Data



Nominal Diameter	Actual Diameter	Caps & Bases (width & height)										Standard Lengths in Ft.	No. Staves	Load Lbs.
		Polymer Composite		Standard		Doric		Scamozzi		Corinthian				
		B	C	B	C	B	C	B	C	B	C			
6	5 ⁵ / ₈	7 ³ / ₄	1 ¹⁵ / ₁₆	7 ³ / ₄	1 ¹⁵ / ₁₆	-	-	-	-	-	-	8, 9, 10 & 20'	3	13,000
8	8	10	2 ¹ / ₁₆	10	2 ¹ / ₁₆	12 ¹ / ₄	3 ³ / ₄	12	5 ¹ / ₈	15 ³ / ₄	10	8, 9, 10, 12 & 20'	3	22,000
10	10	-	-	12 ¹ / ₄	2 ⁷ / ₁₆	14 ¹ / ₂	4 ¹ / ₄	12	5 ¹ / ₈	15 ³ / ₄	10	8, 9, 10, 12 & 20'	4	25,000
12	11 ¹ / ₄	-	-	14 ¹ / ₈	3	17	5	14 ¹ / ₂	6 ¹ / ₂	20	12 ¹ / ₂	10, 12, 16 & 20'	5	30,000
15	14 ³ / ₈	-	-	17 ⁷ / ₈	3 ¹ / ₂	20 ³ / ₄	5 ³ / ₄	18 ¹ / ₂	7 ¹ / ₄	23 ¹ / ₂	15	12, 16, 20 & 24'	6	34,000
18	18	-	-	21 ⁵ / ₈	3 ³ / ₄	25 ¹ / ₂	6 ¹ / ₂	27	7 ³ / ₄	26 ¹ / ₂	18	16, 20 & 24'	6	38,000
24	24	-	-	28	4 ³ / ₈	31 ³ / ₄	7 ¹ / ₈	38 ¹ / ₂	14 ³ / ₈	35 ¹ / ₂	25	16, 20, 24 & 30'	6	50,000
30	30	-	-	-	-	43 ⁵ / ₈	9 ¹ / ₂	-	-	-	-	16, 20, 24 & 30'	8	50,000

➡ Tested lengths are underlined.

Square Columns – Dimensions & Load Data



Nominal Width	Caps / Bases (width & height)**										Standard Lengths in Ft.	Load lbs.				
	Polymer Composite		Standard		Doric		Charleston		Savannah			Smooth	Fluted	Panel		
	B	C	B	C	B	C	B	C	B	C						
4*	4"	-	-	-	6	1 ³ / ₈	-	-	-	-	-	8 & 10'	15,000	13,000	-	
6"	6"	6"	8 ¹ / ₂	2	8 ¹ / ₂	2	10 ¹ / ₂	3 ³ / ₄	9 ¹ / ₄	6 ¹ / ₂	8	5 ¹ / ₄	8, 9, 10 & 20'	15,000	12,000	40,000
8"	8"	8"	10 ¹ / ₂	2	10 ¹ / ₂	2	12 ¹ / ₂	3 ³ / ₄	11 ¹ / ₄	6 ¹ / ₂	10	5 ¹ / ₄	8, 9, 10, 12 & 20'	24,000	18,000	60,000
10"	10"	10"	-	-	12 ¹ / ₂	2 ⁵ / ₁₆	14 ¹ / ₂	3 ³ / ₄	13 ¹ / ₄	6 ¹ / ₂	12	5 ¹ / ₄	8, 10, 12 & 20'	45,000 (16')	33,000	80,000
12"	12"	12"	-	-	15	2 ¹ / ₂	16 ¹ / ₂	3 ³ / ₄	17 ¹ / ₄	10	14	5 ¹ / ₄	10, 12, 16, & 20'	50,000	27,660 (15')	75,000
-	16"	16"	-	-	20	3	20 ¹ / ₂	3 ³ / ₄	21 ¹ / ₄	10	18	5 ¹ / ₄	16, 20 & 24'	-	13,000	75,000

*Not available in wrap-around. **All square column staves extend through caps & bases. ➡ Tested lengths are underlined unless otherwise noted.

Note: All square columns contain 4 staves with the exceptions of 4" smooth (1 stave), 4" fluted (2 staves), and 16" panel (8 staves).

4" columns are available with a Standard cap and base only. All other size columns are available with a Standard, Doric or Charleston cap and a Standard, Doric or Savannah base.

SUPERIOR About Superior Aluminum

Founded in 1956 in Youngstown, Ohio, Superior Aluminum began as a window manufacturer before making the switch to aluminum railing in 1960. In 1966, the company was purchased by businessmen Tom Francis and Ed Borchers.

Tom and Ed moved the company to its current home in Russia, Ohio, where continued growth forced two facility moves before eventually building their current modern 110,000 square foot facility in 1996, which remains the company's home.

Today, Superior continues to be a privately-owned business, operated by the Francis and Borchers families. A sister company owned by the Francis family manufactures all aluminum castings, which ensures tight quality control, ultra-fast response, and easy customization when needed. The core values of honesty, hard work, and treating people with respect established by our founders remain as the foundation of the business today.



Ed Borchers and Tom Francis



Aerial View of Superior Aluminum Products, Inc.



Superior Aluminum Products, Inc.

"I want to thank Superior for working with us on our courthouse project. Everything fit like a glove when it was installed! I was very impressed with the products, the ease of installation, and the precision of the fit! The name of your company is truly proper, as your product line is Superior! Once again, thank you for working with us and more in the future!"

"I wanted to extend special thanks to the Superior team for all of their assistance in helping me complete my deck on time. The railings were easy to install and absolutely visually stunning!"



Superior Series 500 Non-Welded Aluminum Pipe Railing (hand rail at steps).
Superior Series 550 Non-Welded Aluminum Pipe Picket Railing (at steps and landing).

Ask about our complete line of Superior Aluminum Products:

- Series 9P Aluminum Picket Railing
- Series 9S Seamless Aluminum Railing
- Series 9C Aluminum Cable Railing
- Series 9H Aluminum Horizontal Railing
- Series 7 Picket Fence
- Series 7V Privacy Fence
- Series 6 Custom Residential Railing & Columns
- Series 5H Aluminum Pipe Railing
- Series 5P Aluminum Pipe Picket Railing
- Series 5C Aluminum Pipe Cable Railing
- Fiberglass Columns – Round & Square
- PVC Column Wraps – Square & Craftsman

SUPERIOR

ALUMINUM PRODUCTS

555 East Main St. | PO Box 430 | Russia, OH 45363
937-526-4065 | Fax: 937-526-3904
SuperiorAluminum.com
info@superioraluminum.com